

◆ Home > 5977721507F

Part Number: **5977721507F**



General Description

| | |
|-----------------|---------------------|
| Series | 597 |
| Configuration | 1210 Package |
| Description | SMD LED Y/G 7" Reel |
| Package Options | Tape and Reel |
| Lamp Type | Bi-Color |
| Lens Color | Non-Diffused |

Absolute Maximum Ratings (Ta = 25°)

| | |
|-----------------------|-----------|
| Operating Temperature | -30 ~ +85 |
| Storage Temperature | -25 ~ +75 |

Operating Characteristics

| |  |  |
|----------------------------|---|---|
| Color | Yellow | Green |
| Luminous Intensity Min | 3.6 | 9 |
| Luminous Intensity Typical | 6.3 | 20 |
| Power Dissipation Max | 100mW | 60mW |




This is a
RoHS Compliant Product
To learn more click here



Dialight

515 SERIES

2mm Round

MicroLED® Optopipe®

Optical Light Pipe, 2 Array



FEATURES / BENEFITS

- ▲ Designed to mount over SFP cage assembly
- ▲ High transmissivity polycarbonate material
- ▲ UL94V-O Compliance
- ▲ ESD Protection (circuit isolation from front panel)
- ▲ Wide viewing angle
- ▲ Arrays reduce insertion cost
- ▲ Secures to PCB by press-fit
- ▲ Operating/Storage temperature -30°C to +100°C

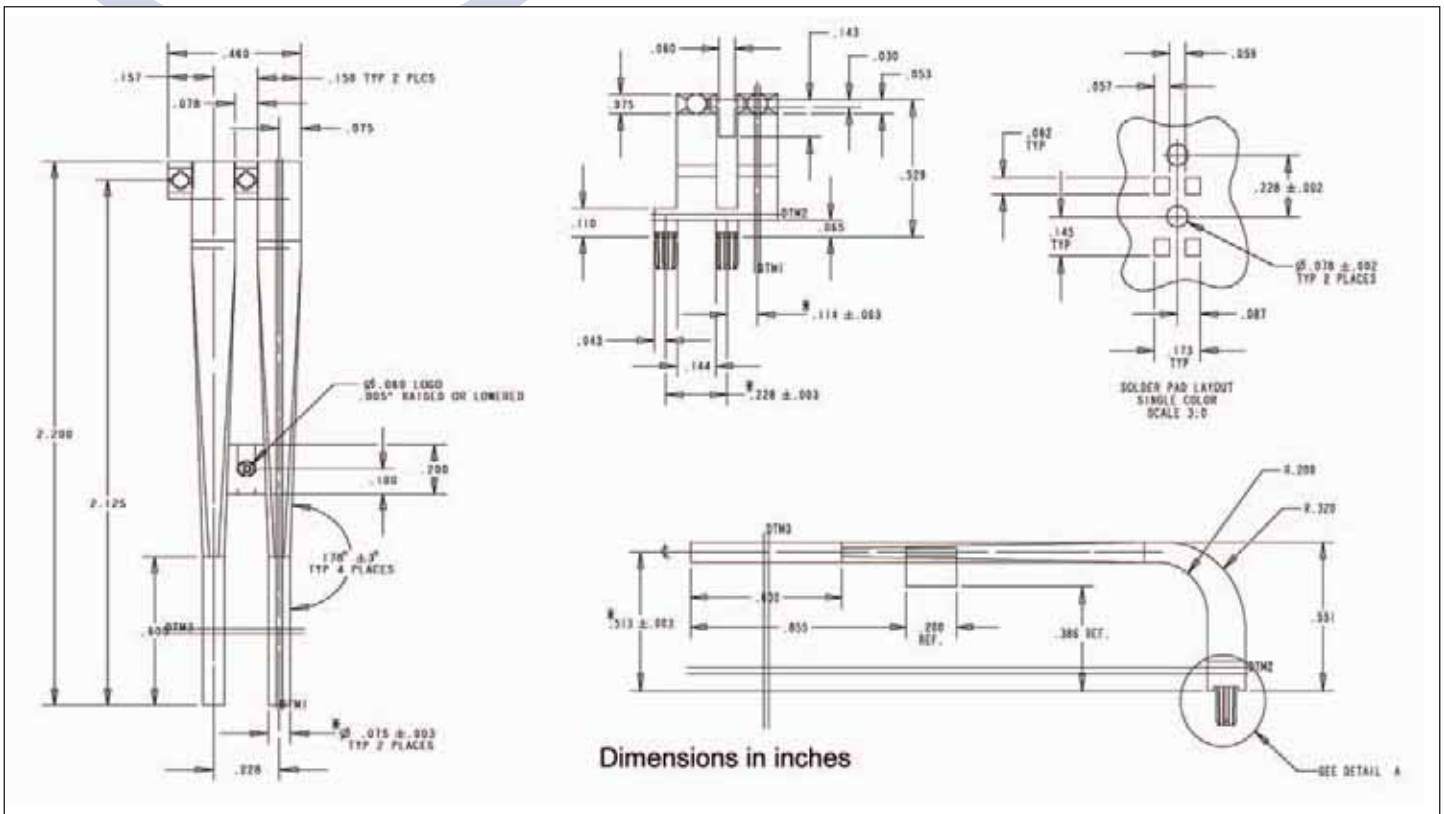
Recommended MicroLED® SMD LEDs for use with 515-1118

Part Number Series

597-3xx1-5xx

597-77x1-5xx

See reverse side for color options and pad layout



A4703



ISO 9001

Dialight Corporation

ABSOLUTE MAXIMUM RATINGS (TA = 25° C)

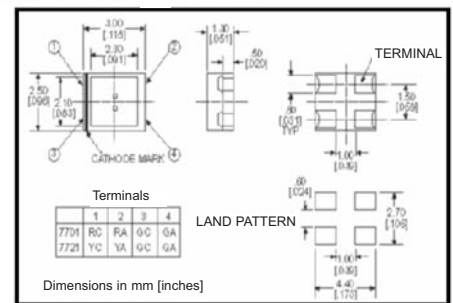
| Parameter | 02 | 11 | 21 | 30 | 40 | 0 | 2 | |
|--------------------------------|----------------------------|------------|--------|-------|--------|----------------------|------------------|--|
| Color | Red | AlGaAs Red | Orange | Green | Yellow | Red/Green | Yellow/ Green | |
| Power Dissipation (mW) | 70 | 75 | 70 | 70 | 70 | 60/60 | 60/60 | |
| Forward DC Current | 25 | 30 | 25 | 25 | 25 | 25/25 | 25/25 | |
| Derating (mA/°C) above 25°C | 0.42 | 0.42 | 0.42 | 0.42 | 0.42 | .4/.3 | .4/.3 | |
| Peak Forward Current (10 μsec) | 60mA | 75mA | 60mA | 60mA | 60mA | 60/60 | 60/60 | |
| Operating Temperature | -30°C to +85°C | | | | | | | |
| Storage Temperature | -40°C to +85°C | | | | | | | |
| Soldering Profile | 240°C Peak, max 10 seconds | | | | | 240-245°C, max 5 sec | | |

OPERATING CHARACTERISTICS (TA = 25° C)

| Parameters | Color Code | Color | Min | Typ | Max | Units | Test Cond. |
|----------------------------|------------|--------------|-------|---------|---------|-------|------------|
| Forward Voltage VF | 02 | Red | | 2 | 2.8 | V | IF=10mA |
| | 11 | AlGaAs Red | | 1.75 | 2.5 | | |
| | 21 | Orange | | 2 | 2.8 | | |
| | 30 | Green | | 2.2 | 2.8 | | |
| | 40 | Yellow | | 2.1 | 2.8 | | |
| | 0 | Red/Green | | 2/2.2 | 2.8/2.8 | | |
| | 2 | Yellow/Green | | 2.1/2.2 | 2.8/2.8 | | |
| Reverse Current (VR=4V) | 02 | Red | | | 100 | V | IF=10μA |
| | 11 | AlGaAs Red | | | 100 | | |
| | 21 | Orange | | | 100 | | |
| | 30 | Green | | | 100 | | |
| | 40 | Yellow | | | 100 | | |
| | 0 | Red/Green | | | 100/100 | | |
| | 2 | Yellow/Green | | | 100/100 | | |
| Peak Wavelength | 02 | Red | | 650 | | nm | |
| | 11 | AlGaAs Red | | 660 | | | |
| | 21 | Orange | | 610 | | | |
| | 30 | Green | | 563 | | | |
| | 40 | Yellow | | 585 | | | |
| | 0 | Red/Green | | 650/570 | | | |
| | 2 | Yellow/Green | | 585/563 | | | |
| Luminous Intensity | 02 | Red | 2.2 | 6.3 | | mcd | IF=20mA |
| | 11 | AlGaAs Red | 5.6 | 16 | | | |
| | 21 | Orange | 3.6 | 10 | | | |
| | 30 | Green | 5.6 | 16 | | | |
| | 40 | Yellow | 2.2 | 6.3 | | | |
| | 0 | Red/Green | 3.6/9 | 6.3/20 | | | |
| | 2 | Yellow/Green | 3.6/9 | 6.3/20 | | | |
| Viewing Angle (2θ 1/2) | 02 | Red | | 104 | | deg. | |
| | 11 | AlGaAs Red | | 104 | | | |
| | 21 | Orange | | 104 | | | |
| | 30 | Green | | 104 | | | |
| | 40 | Yellow | | 104 | | | |
| | 0 | Red/Green | | 100/100 | | | |
| | 2 | Yellow/Green | | 100/100 | | | |

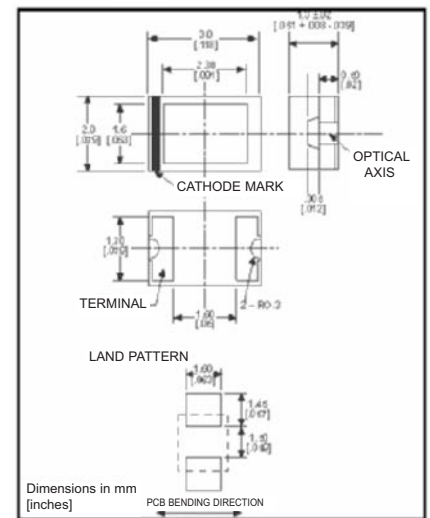
Bi-Color

597-77x1-507



Single Color

597-3xx1-507



XX - Color Code example
597-3**02**1-507 Red



A4703



ISO 9001

Dialight Corporation